



MagnaClean[®]

Micro

Product Specification

MagnaClean Micro[®]

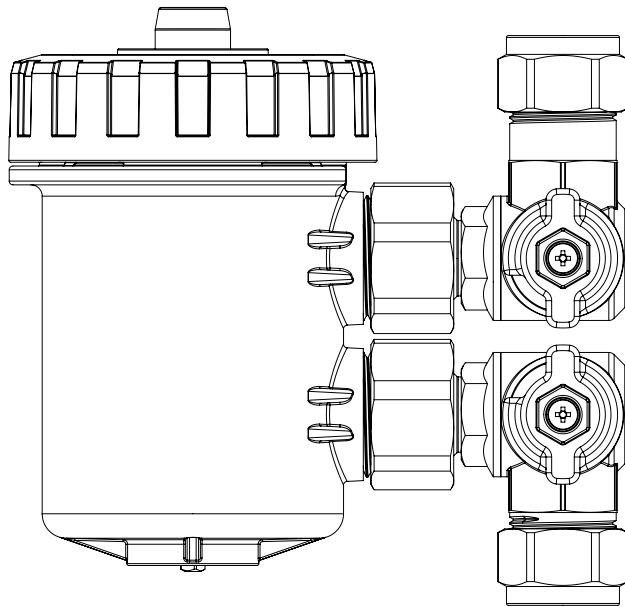
MagnaClean Micro is designed for installers who want a compact filter that's reliable and easy to install. In-line ports and slip socket valve design allows for quicker installations. The filter also comes with the ability to vent, drain and flush.

Features

- Pipe cut-out 98mm
- 22mm compression, 90-degree isolation valves with slip socket design for ease of fitting.
- Ability to flush using ADEY *MagnaCleanse*[®]
- Drain valve and vent for easier servicing
- Supplied ready for installation
- 2-year warranty

Easy to:

- Fit
- Dose
- Drain
- Flush



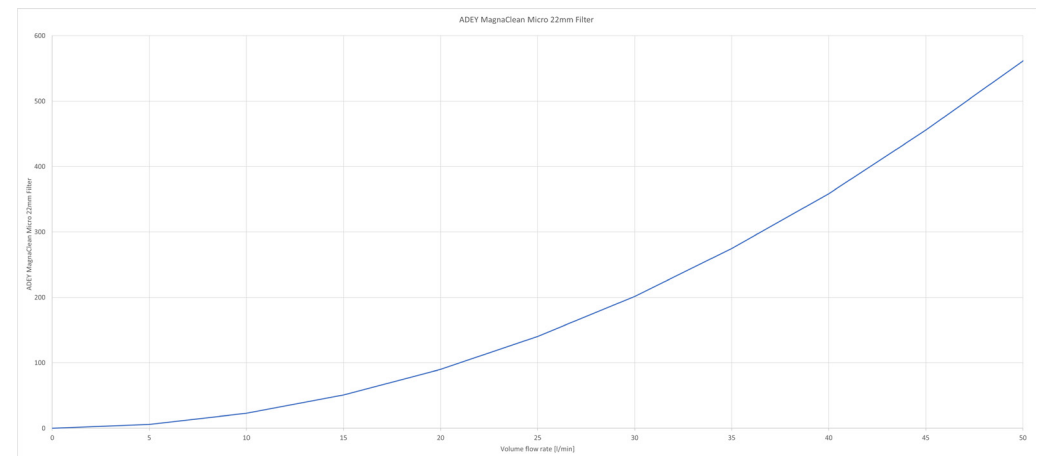
Fit a filter every time

The filter should be fitted in-line on the return pipe. Alternative sitings can be located when the return pipe is not available. *MagnaClean Micro* filter must always be installed indoors and is not suitable for external use. ADEY always recommends that a magnetic filter be installed on both new and existing systems to extend the operational life of the boiler or heat pump as well as reduce maintenance call-outs and heating bills.

ADEY *Best Practice*[™] Essentials:

- *MC1*[™] System Protector
- *MC3*[™] System Cleaner

Flow resistance graph:



MagnaClean Micro[®]

Internal water operating temperature: 3°C to 95°C

Internal operating water pressure: up to 5 bar

Maximum flow rate: 50l/min

Canister

Material: Glass reinforced polymer

Port Threads: 22mm

Thread: Pressure thread

Flow configuration: Directional inlet on bottom port

Valve to canister seal: EPDM

Magnet

Length: 97mm

Diameter: 19mm

Air bleed valve

Body material: Nickel plated brass

Screw: Nickel plated brass

Thread interface: M6

Seals: EDPM

Drain port

Body material: Nickel plated brass

Drain seals: EPDM

Drain plug thread: M8

Valves

Body material: Nickel plated brass

Seals material: Long life PTFE ball seals

Valve inlet/outlet: 22mm compression

O-ring material: EPDM

Servicing clearance

Air vent: (top) 30mm

Drain plug: (bottom) 30mm

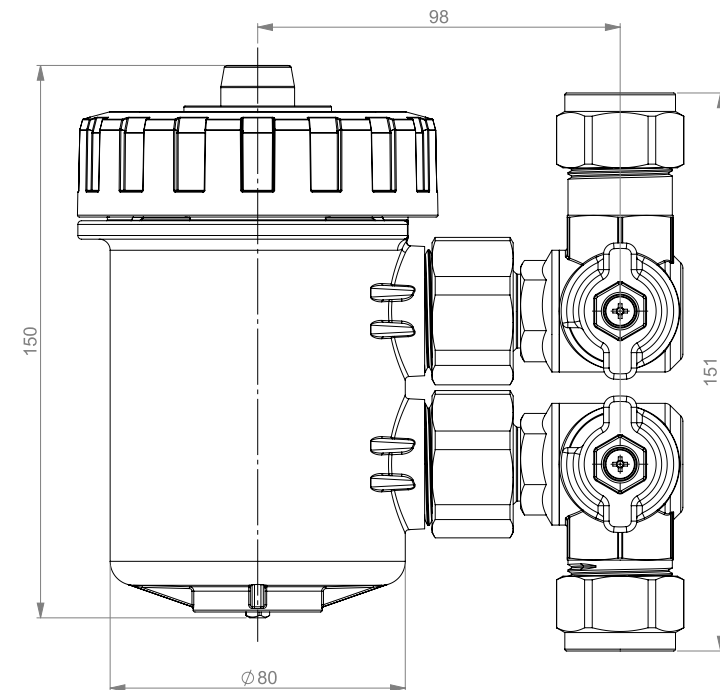
Packaging and handling:

Packaged with all components included

Storage

No special storage requirements necessary

Full installation instructions are supplied with each filter and are also available to download from adey.com



Application

The 360° rotational valves on the *MagnaClean Micro* give you multiple installation options.

For best results, we recommended that dirty systems are thoroughly cleaned before installation of a *MagnaClean*® filter.

Always re-dose the system with ADEY *MC1+* Central Heating System PROTECTOR following cleansing or maintenance.

